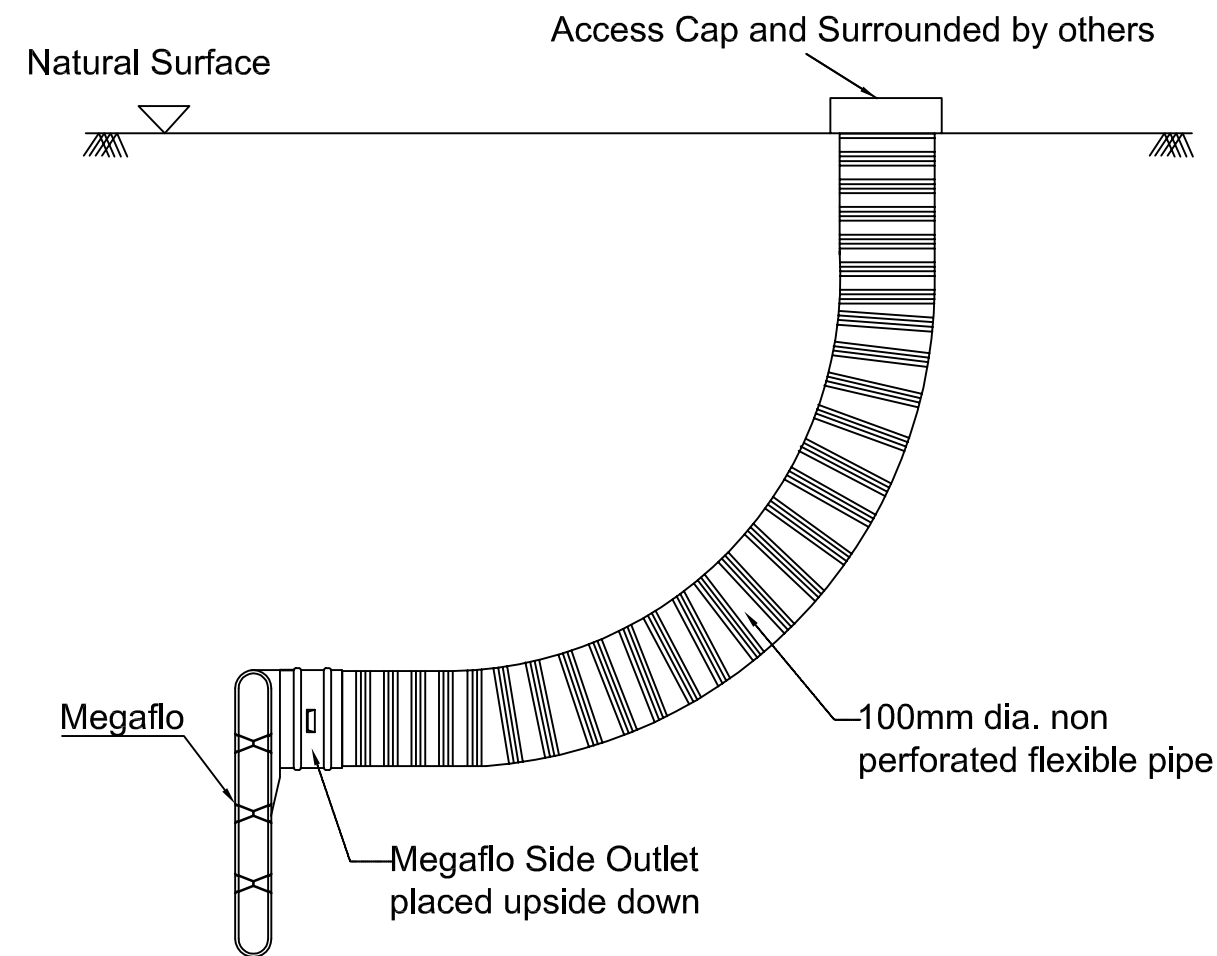
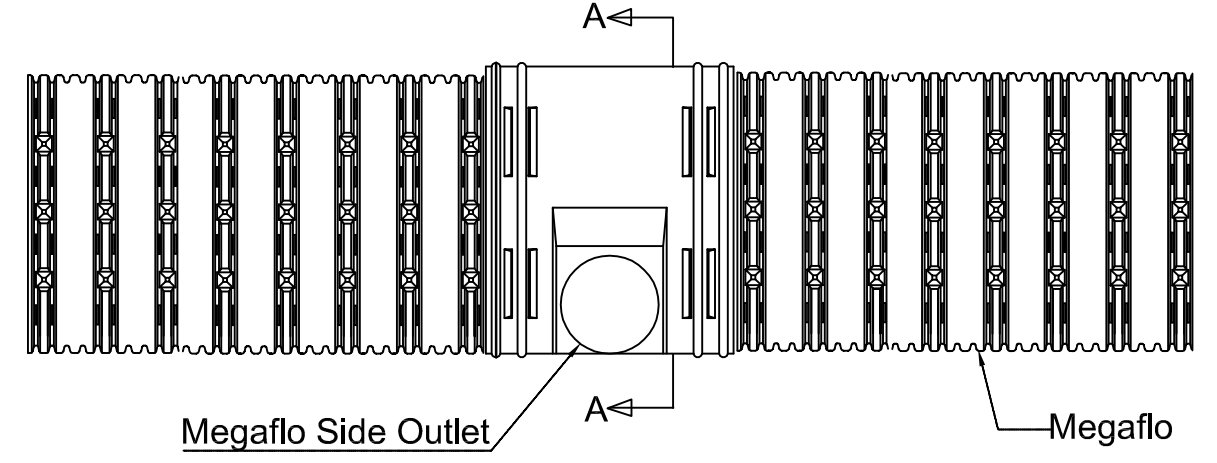


Typical Side View

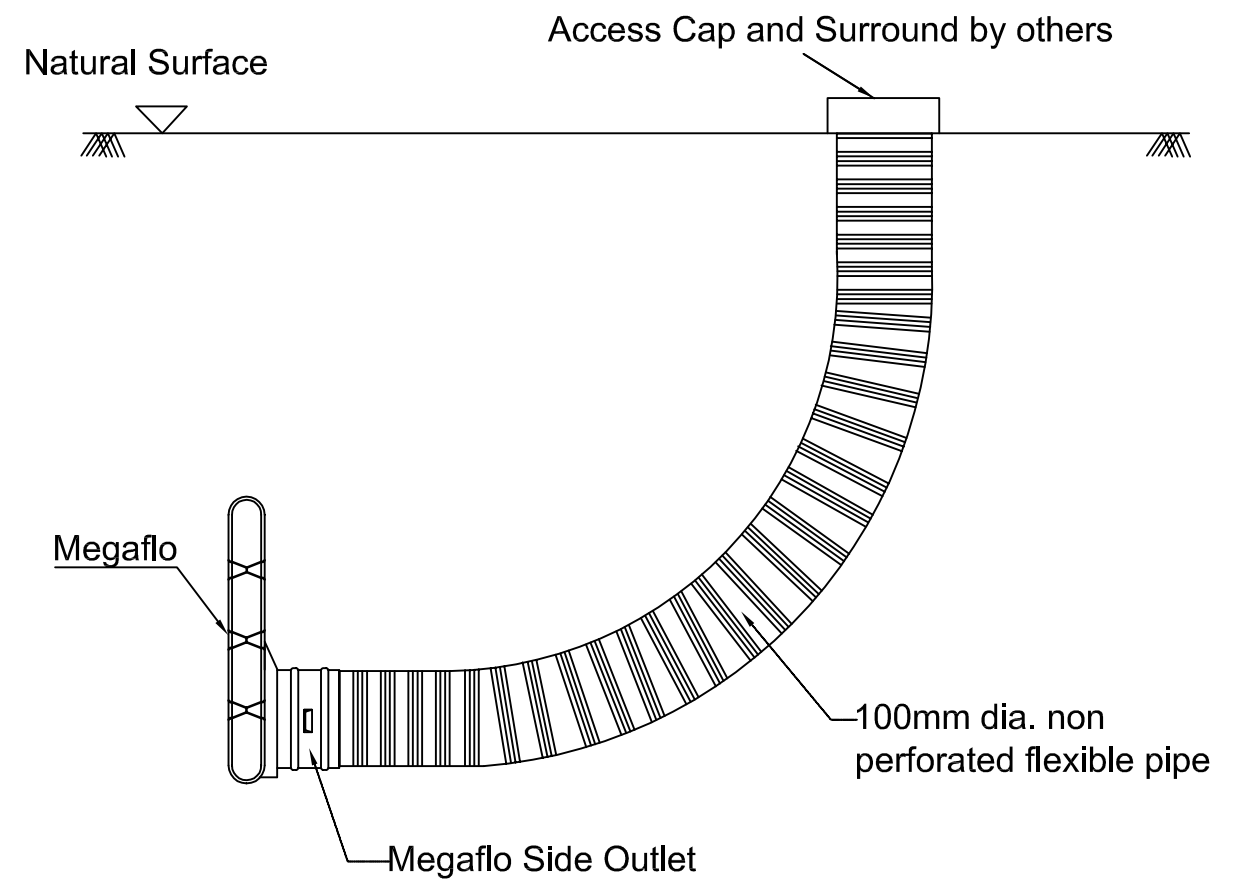


Section A - A

TYPICAL FLUSHING POINT TYPE 1



Typical Side View



Section A - A

TYPICAL FLUSHING POINT TYPE 2



DISCLAIMER :
This document is not to be considered a full design and is provided without obligation. Complete engineering design is to be performed by a suitably qualified engineer.

Designed: GF	Date: 21/07/2015
Drawn: KC	Date: 21/07/2015
Scale : Not To Scale	
Drawing No.: MEG003	

Megaflo Typical Details
Flushing Point Details

