

DESIGN INFORMATION SHEET

WEIR – VERTICAL DROP



CUSTOMER INFORMATION

Company:			
Requested by:			
Tel. :	Fax:	e-mail:	
Project name:			Project N°:
Location:		City / State / Country:	

(*) GEOFABRICS NEW ZEALAND LTD INFORMATION

Company or distributor:	
Requested by:	Project N°:

(*) DESIGN LEVEL

<input type="checkbox"/> Level 1 (Conceptual Proposal)	<input type="checkbox"/> Level 2 (Preliminary Suggestion)	<input type="checkbox"/> Level 3 (Final Design)
--	---	---

STANDARD REQUIRED:

--

WATER COURSE AND WEIR PARAMETERS

River data			Soil data			Soil type		
Design discharge (Q)		m ³ /s	Soil description			Fine sand		
River bed gradient (i)		%	Soil unit weight		kN/m ³	Coarse sand		
Bank top elevation (f _p)		m	Soil friction		°	Gravel		
Channel width (L _c)		m	Bligh coefficient			Sandy clay		
Left bank slope (θ ₁)		°	Gabions data			Silt		
Right bank slope (θ ₂)		°				Rockfill unit weight		kN/m ³
River granulometry		mm	Porosity		%	(Please tick "✓" the appropriate box)		
Roughness coefficient (n)		m ^{-1/3} s	Under pressure influence		%			
			Foundation soil					

MAIN STRUCTURE

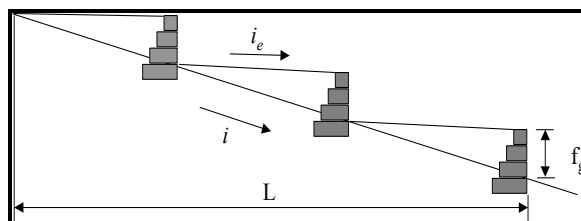
Wings geometry (weir)		
Crest width (L _g)		m
Crest elevation (f _g)		m
Foundation depth.		m

STILLING POOL

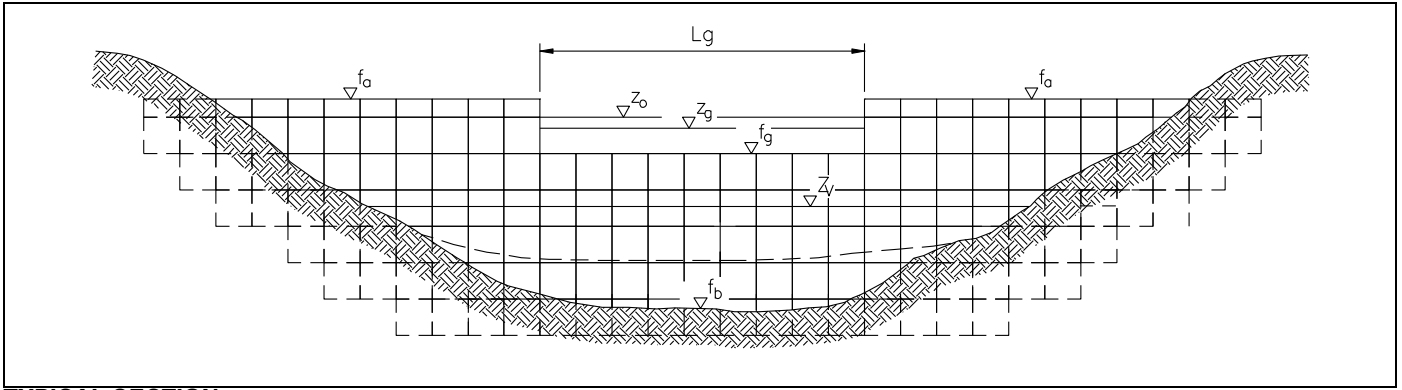
Counterweir			Stilling lining		
Elevation (f _c)		m	Elevation		m
Pool length		m	Thickness		m
			Width		m

DESIGN OF SUCCESSIVE WEIRS FOR GRADE CONTROL

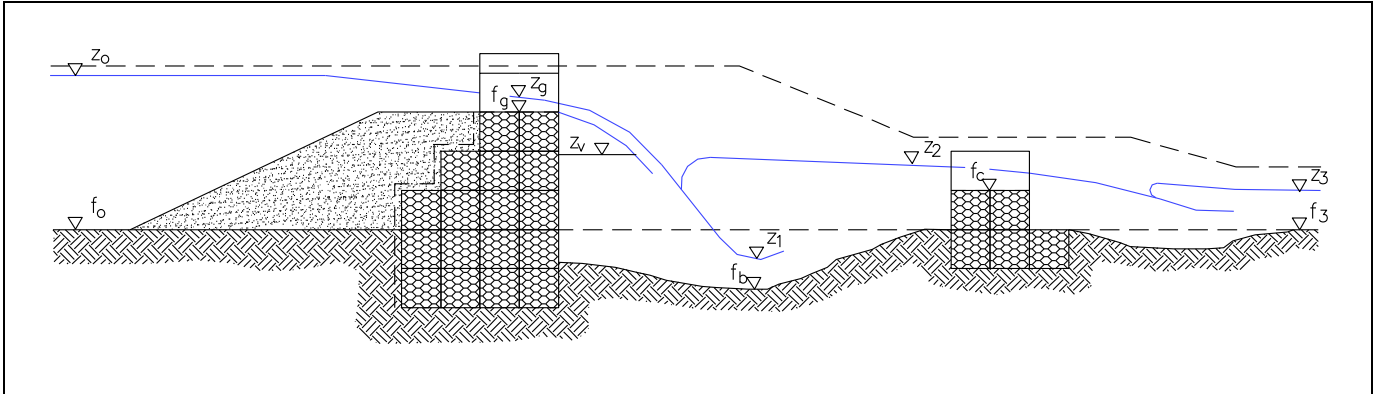
Total horizontal reach length (L)		m
Original river gradient (i)		%
Proposed new gradient (i.e.)		%
Weir crest height (f _g)		m



FRONT VIEW



TYPICAL SECTION



PROJECT DESCRIPTION

(*) GEOFABRICS NEW ZEALAND LTD SUGGESTIONS (AREA MANAGER)

(*) ADDITIONAL INFORMATION

Section to be calculated	Section to be drawn	Only drawing without calculation	GEOFABRICS NEW ZEALAND LTD specs for drawings	Drawing template	Plan	Elevation	Bill of quantities
_____	_____	<input type="checkbox"/> Yes <input type="checkbox"/> No	<input type="checkbox"/> Yes <input type="checkbox"/> No	<input type="checkbox"/> Yes <input type="checkbox"/> No	<input type="checkbox"/> Yes <input type="checkbox"/> No	<input type="checkbox"/> Yes <input type="checkbox"/> No	<input type="checkbox"/> Yes <input type="checkbox"/> No

Attachments:	File name:
Photos	_____
Site Investigations	_____
Drawings	_____

NOTES: (*) For GEOFABRICS NEW ZEALAND LTD use only.